

# SPECIFICATION SHEET

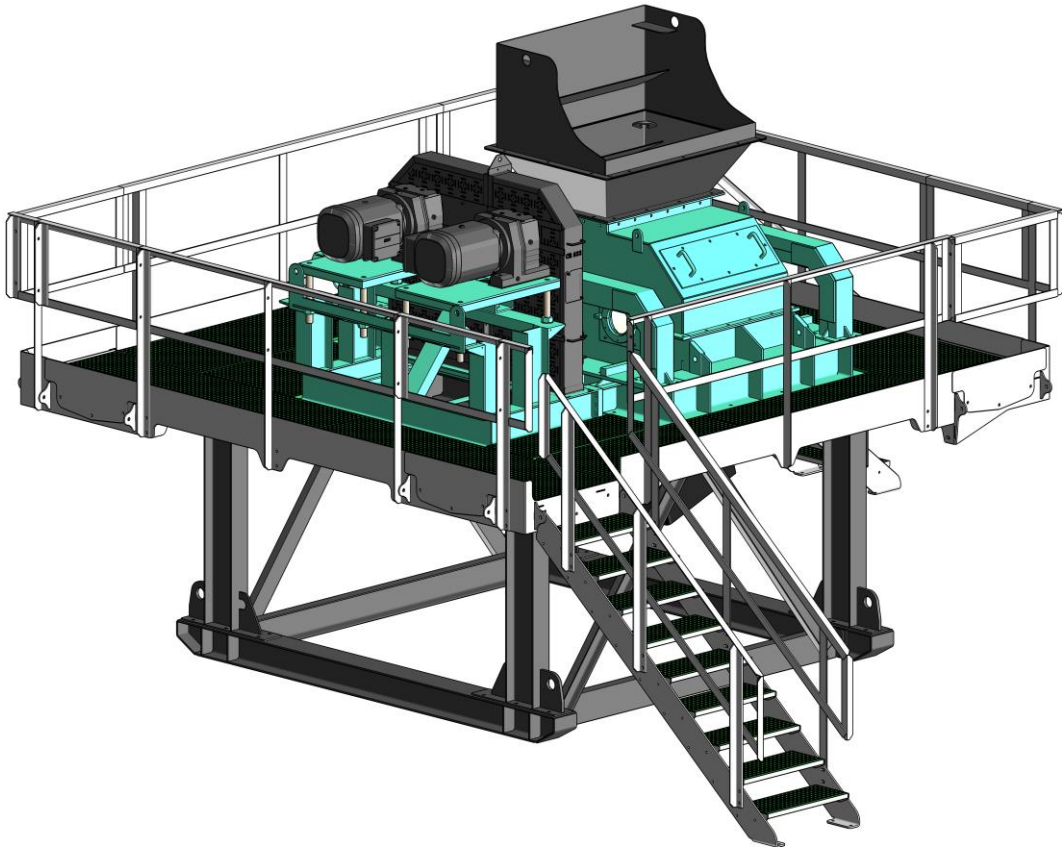
**PILOT CRUSHTEC**®

CRUSHING AFRICA'S ROCK

**MRC3648:**

*Pilot Modular Double Roll Crusher*

PRODUCT NAME:	MRC3648 Pilot Modular Double Roll Crusher
DOCUMENT NO:	PCS-07-02-12
REV:	02
DATE:	22/03/2021



NO CIVILS REQUIRED



HEAVY DUTY DESIGN



RAPID SETUP TIME



LOW OPERATING COSTS

## PRODUCT DESCRIPTION

The Pilot Modular MRC3648 Double Roll Crusher is a skid-mounted, double drum, primary crushing plant, designed to operate on medium to hard bituminous coal. This double-drum crusher minimises the creation of fines through the crushing process and is perfectly suited to hard bituminous coal applications. This complete module is supplied ready to run, with a skid structure, composite panel walkways, handrails and an inclined staircase. This module does not require any civils, simply a level compact surface.

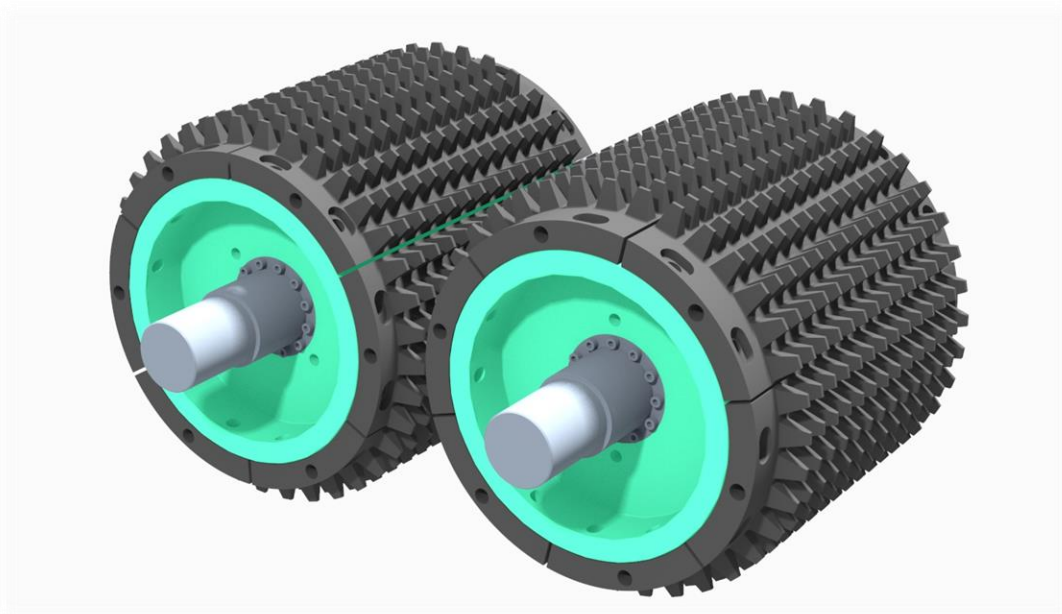
**MRC3648 DOUBLE ROLL CRUSHER SPECIFICATIONS**

**TECHNICAL SPECIFICATIONS**

Feed Rate:	Max 600tph
Feed Size:	Max -600mm
Product Size:	-150mm
Roll Width:	1220mm
Roll Diameter:	560mm
Roll Speed:	184rpm
Drive Units:	2 x SEW geared motors; 30kW, IP66, SEW Motor
Drive Type:	C-section V-belt drive with taper lock bushes
V-Belts:	SPC
Total weight:	Approximately 15,500kg
Mass Crusher only:	Approximately 9,275kg
Mass Guard, Drives & Stand:	Approximately 2,100kg (incl. geared motors)
Mass Roll, Segments and Bearings:	Approximately 3,075kg loose roll (heaviest maintenance lift)
Bearings:	Double spherical roller bearings fitted with adapter sleeves.
Gap Setting:	40mm

**SKID FRAME**

Frame:	Heavy-duty support structure Fabricated using heavy l-section with integral outlet chute attachment and extended frame
--------	---

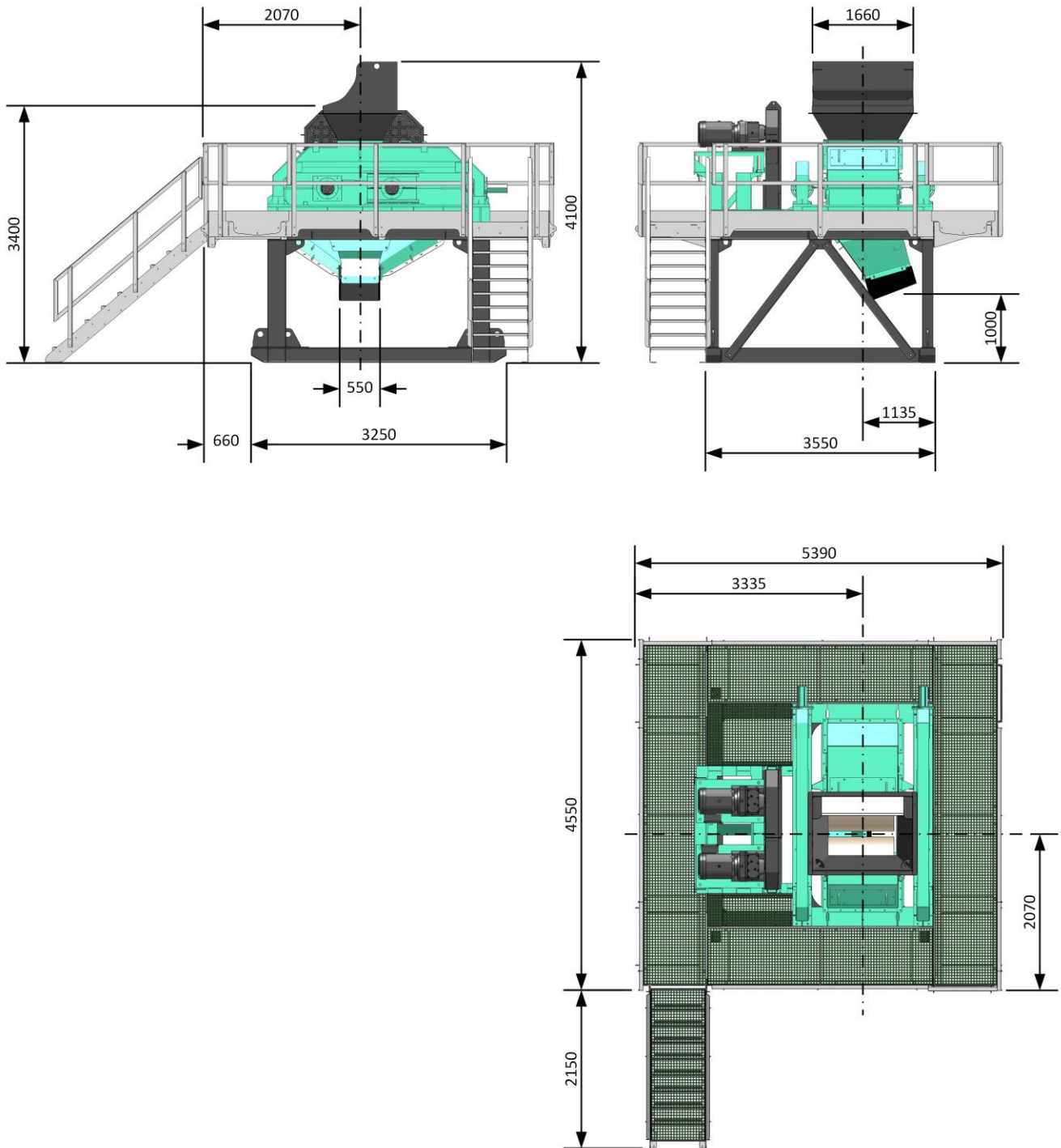


[www.pilotcrushtec.com](http://www.pilotcrushtec.com) | [sales@pilotcrushtec.com](mailto:sales@pilotcrushtec.com) | +27 (11) 842 5600

All reasonable steps have been taken to ensure the accuracy of the publication, however, due to Pilot Crushtec International's policy of continual product development, we reserve the right to make changes in specifications shown herein or improvements at any time without notice or obligation. All capacities and feed sizes are provided as an application aid only. No warranties are expressed or implied.

**WORKING DIMENSIONS**

The working dimensions of the Pilot Modular MRC3648 Double Roll Crusher.



[www.pilotcrushtec.com](http://www.pilotcrushtec.com) | [sales@pilotcrushtec.com](mailto:sales@pilotcrushtec.com) | +27 (11) 842 5600

All reasonable steps have been taken to ensure the accuracy of the publication, however, due to Pilot Crushtec International's policy of continual product development, we reserve the right to make changes in specifications shown herein or improvements at any time without notice or obligation. All capacities and feed sizes are provided as an application aid only. No warranties are expressed or implied.