

SPECIFICATION SHEET

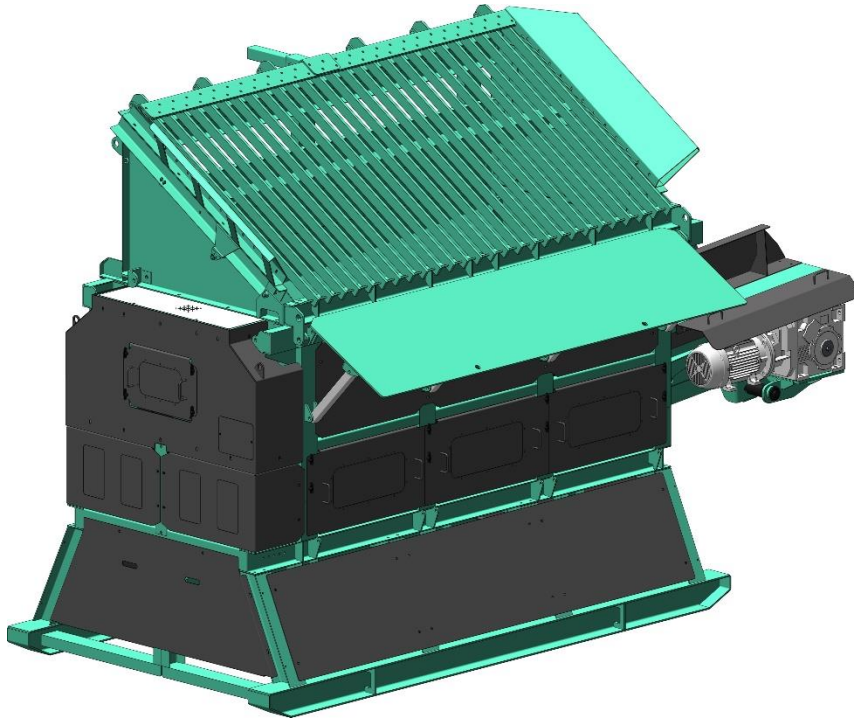
PILOT CRUSHTEC®

CRUSHING AFRICA'S ROCK

PILOT MODULAR

GFH1000 Grizzly Feed Hopper

PRODUCT NAME:	Pilot Modular GFH1000 Grizzly Feeder
DOCUMENT NO:	PCS-07-02-71
REV:	02
DATE:	10/07/2020



NO CIVILS REQUIRED



HEAVY DUTY DESIGN



RAPID SETUP
TIME



LOW OPERATING
COSTS

PRODUCT DESCRIPTION

The Pilot Modular GFH1000 Skid mounted primary loading grizzly feed hopper, designed to scalp out +100mm material. It is fitted with a heavy duty reject tipping grid and variable speed conveyor belt. It is designed to be loaded by front end loader or excavator, provides a surge capacity, and gives a controlled feed output.

GFH1000 GRIZZLY FEED HOPPER SPECIFICATIONS

BELT FEED HOPPER

Hopper:	Approximate 4,6 cube meter
Belt:	1050mm, Class 500/4Ply, 6.0mm top cover, 2.0mm bottom cover
Operating Speed:	9 - 22 meter per minute
Maximum Feed Size:	300mm
Capacity:	Up to 500mtph
Power:	15kW, 380V electric motor complete with variable speed drive

SKID FRAME

Frame:	Heavy-duty support structure
Accessories:	Easy access maintenance and inspection door, centralized greasing point

REJECT TIPPING GRID

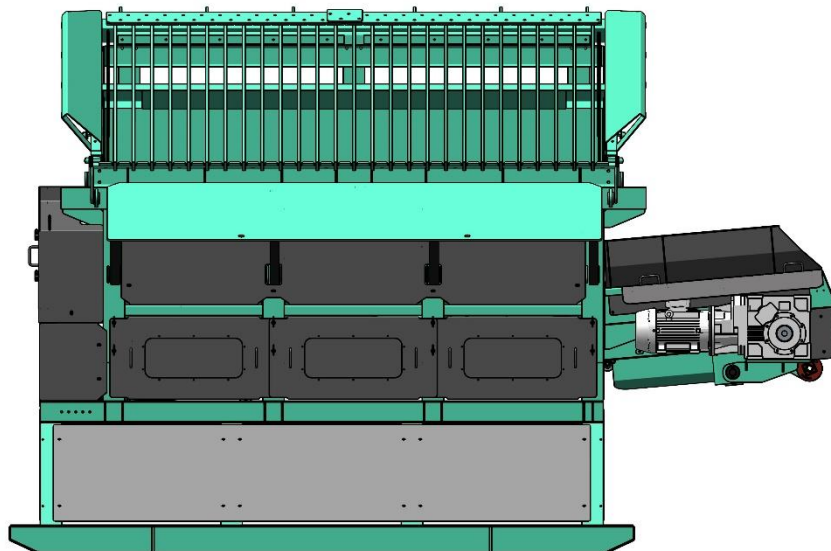
Grid:	Heavy-duty frame and support structure
Grizzly Bars:	Standard grizzly bar spacing set to 100mm

ESTIMATED WEIGHT

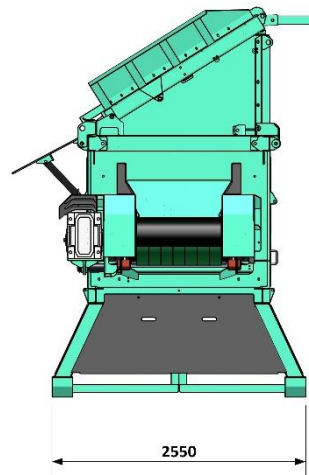
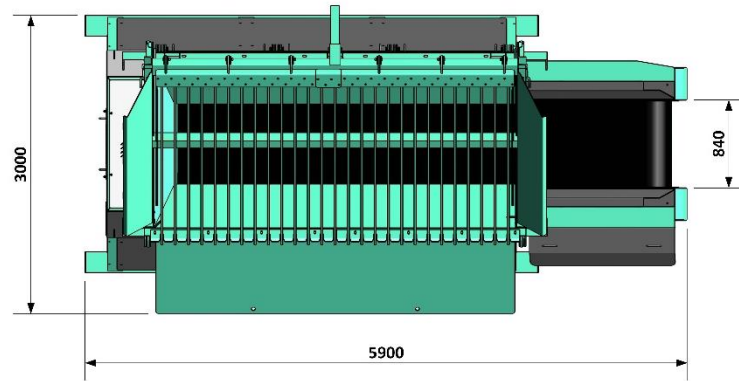
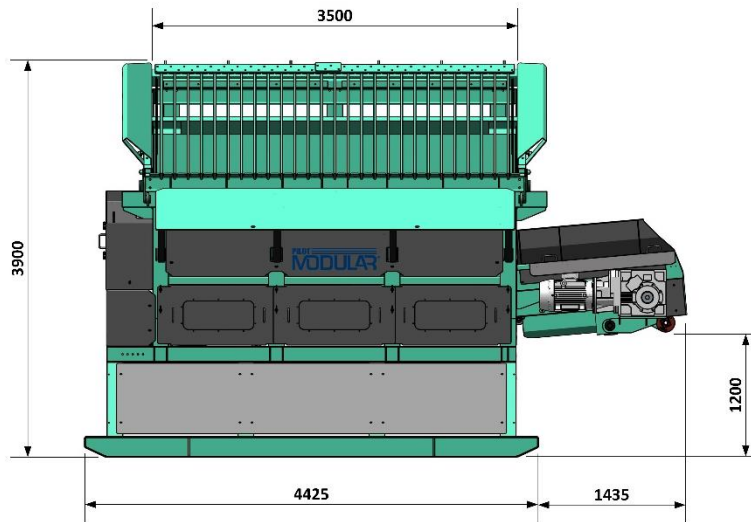
Total:	10,000kg
--------	----------

OPTIONAL EXTRAS

Surge Capacity:	500mm Hopper extension to increase surge capacity Hydraulic operation of tipping grid
-----------------	--



WORKING DIMENSIONS



www.pilotcrushtec.com | sales@pilotcrushtec.com | +27 (11) 842 5600

All reasonable steps have been taken to ensure the accuracy of the publication, however, due to Pilot Crushtec International's policy of continual product development, we reserve the right to make changes in specifications shown herein or improvements at any time without notice or obligation. All capacities and feed sizes are provided as an application aid only. No warranties are expressed or implied.